

HOME

SERIES



Concord
Chrome
Vertical

CONCORD CHROME VERTICAL

50 Δ t

(75/65/20°C)

SINGLE

Height mm	Length mm	Stelrad UIN	Heat output	
			Watts	Btu/h
1800	310	751101h	395	1,348
	390	751102h	495	1,688
	470	751103h	528	1,801
	604	751104h	654	2,232

Δ t50 is the UK's industry standard for heating outputs, which has an operating temperature of 75/65/20°C. If you have a low temperature heat source you may wish to consider Δ t40 or Δ t30 output (see your installer or system designer or download from www.stelrad.com).

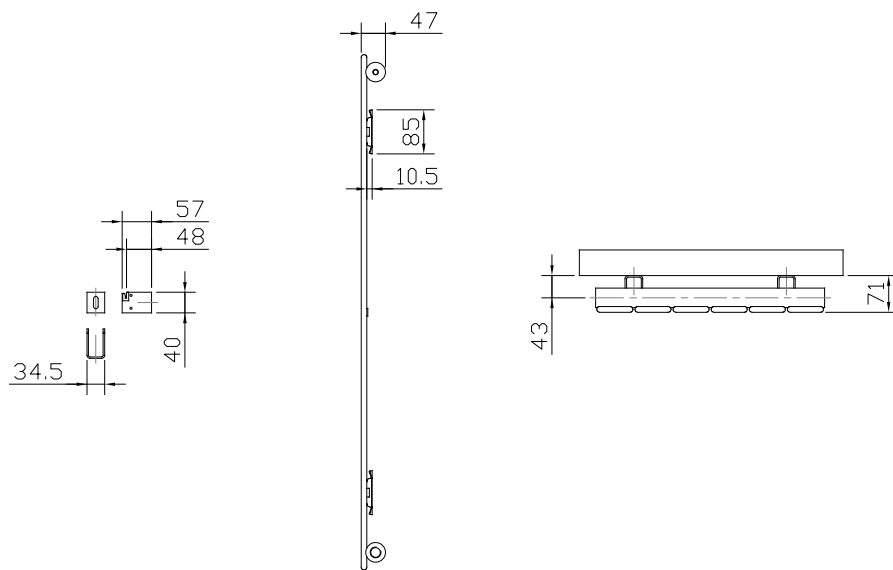
For EN442 data, technical and installation information please visit our website: www.stelrad.com and search product downloads.

CONCORD CHROME VERTICAL

WALL MOUNTING INFORMATION

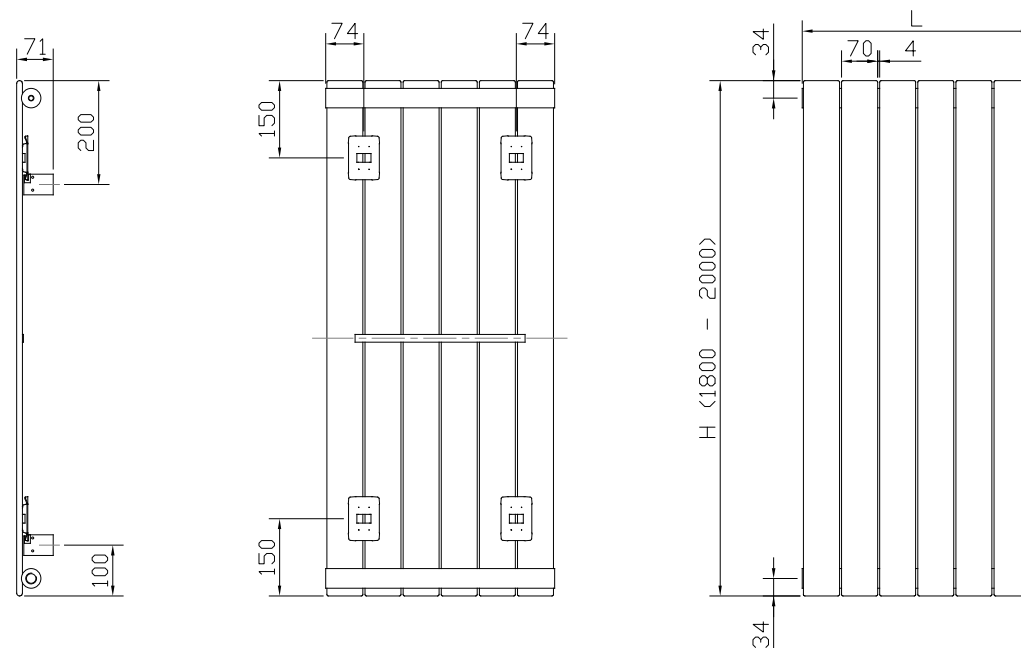
All dimensions in mm.

Type	From back of radiator to wall		From wall to centre of connections		From front of radiator to wall	
	mm	inches	mm	inches	mm	inches
Vertical	24	0.98	43	1.69	71	2.80



FIXING POSITIONS

All dimensions in mm. Inches in brackets.



CONNECTIONS

Each radiator comes with 1/2" inlet connections as standard.

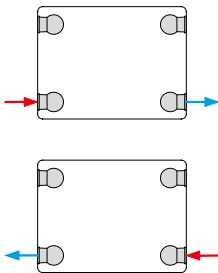
CONCORD CHROME VERTICAL

EN 442 CERTIFICATION DATA - CETIAT TESTED IN ACCORDANCE WITH BS EN 442

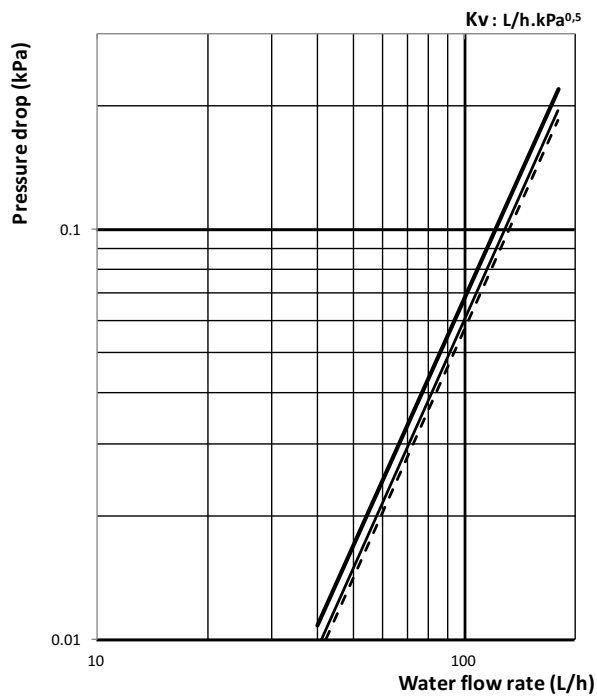
Type	Vertical	
	1800	2000
Height	1800	2000
W/m at 75/65/20	1846	2041
n-coefficients	1.31	1.31
Heated surface area (m ² /m)	4.01	4.42
Weight (kg/m)	44.2	49.4
Water contents (l/m)	14.3	16.9
Wall to tap centre (mm)	43	43

STEEL THICKNESS 1.25mm

PIPING INSTRUCTIONS



PRESSURE DROPS



- Vertical 1800/2000 10 elts - Kv=383
- Vertical 1800/2000 8 elts - Kv=408
- - Vertical 1800/2000 - 6 elts - Kv=419