

HOME

SERIES



Vertical
Line
Concept

VERTICAL LINE CONCEPT

50 Δ t
(75/65/20°C)

K1



K2



Height mm	Length mm	Stelrad UIN	Heat output		Stelrad UIN	Heat output	
			Watts	Btu/h		Watts	Btu/h
600	400	51601104h	348	1187	51602204h	640	2184
	600	51601106h	522	1781	51602206h	961	3279
	800	51601108h	696	2375	51602208h	1281	4371
	1000	51601110h	870	2968	51602210h	1601	5463
	1200	51601112h	1044	3562	51602212h	1921	6554
	1400	51601114h	1218	4156	51602214h	2241	7646

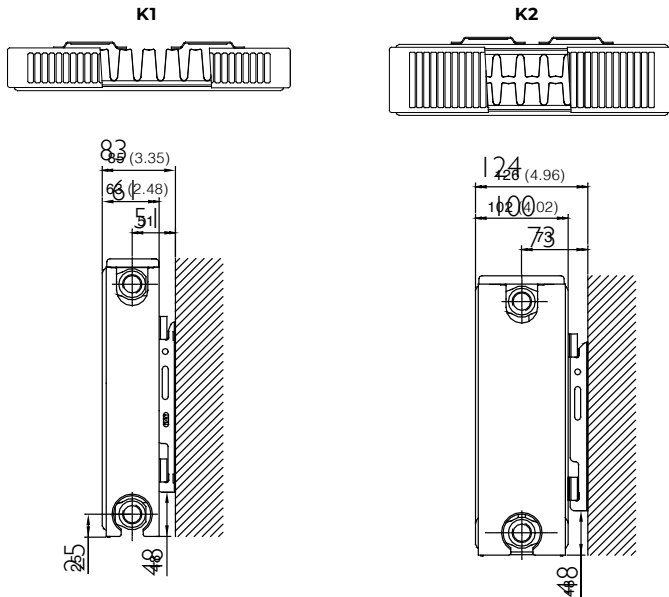
Δ t50 is the UK's industry standard for heating outputs, which has an operating temperature of 75/65/20°C. If you have a low temperature heat source you may wish to consider Δ t40 or Δ t30 output (see your installer or system designer or download from www.stelrad.com).

For EN442 data, technical and installation information please visit our website: www.stelrad.com and search product downloads.

VERTICAL LINE CONCEPT

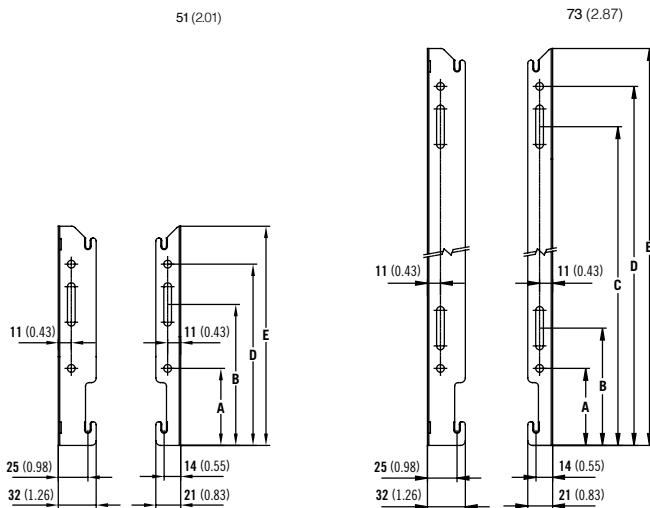
WALL MOUNTING AND LUG INFORMATION

All dimensions in mm. Inches in brackets.



MOUNTING BRACKETS

All dimensions in mm. Inches in brackets. Floor mounting brackets available.

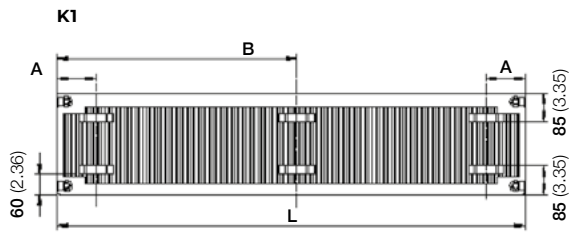


Dimensions	mm	inches	mm	inches	mm	inches
Height	300	11.81	450	17.72	600	23.62
A	65	2.56	65	2.56	65	2.56
B	119	4.69	99	3.90	99	3.90
C	-	-	269	10.59	419	16.50
D	153	6.02	303	11.93	453	17.83
E	185	7.28	335	13.19	485	19.09

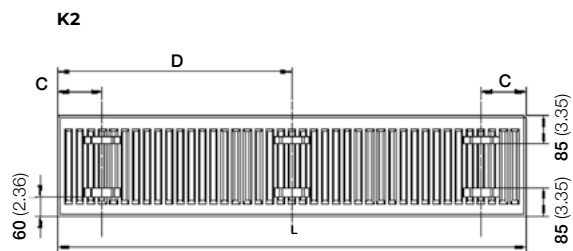
VERTICAL LINE CONCEPT

K1 & K2 LUG POSITIONS

All dimensions in mm. Inches in brackets.



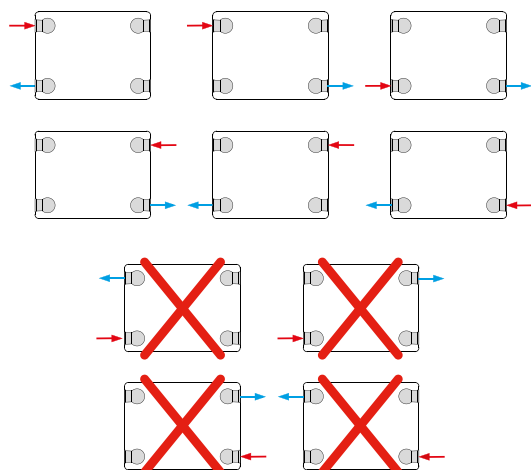
L	K1				K2			
	A		B		C		D	
	mm	in	mm	in	mm	in	mm	in
400	117	4.60	-	-	133	5.24	-	-
500 - 1100	150	5.90	-	-	133	5.24	-	-
1200 - 1600	150	5.90	-	-	133	5.24	-	-
1800 - 2000	150	5.90	(L/2) +17		133	5.24	L/2	



CONNECTIONS

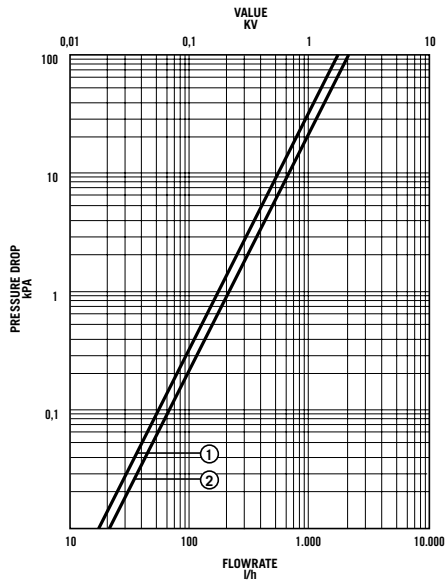
Each radiator comes with 1/2" inlet connections as standard.

PIPING OPTIONS



VERTICAL LINE CONCEPT

PRESSURE DROP



- ① Type 11 (K1)
- ② Type 22 (K2)