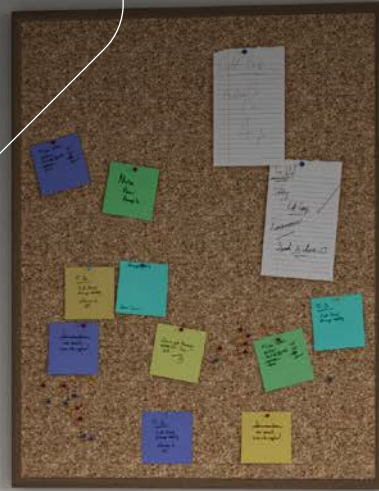


HOME

SERIES

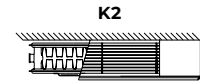
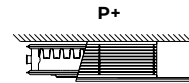
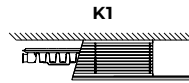


*LST Standard
Horizontal Line*

LST STANDARD HORIZONTAL LINE



50 Δ t
(75/65/20°C)



Casing Height mm	Casing Length mm	Emitter Height mm	Emitter Length mm	K1			P+			K2		
				Stelrad UIN	Heat output Watts	Heat output Btu/hr	Stelrad UIN	Heat output Watts	Heat output Btu/hr	Stelrad UIN	Heat output Watts	Heat output Btu/hr
500	560	300	400	245000h	196	669	245008h	284	969	245016h	348	1187
	760	300	600	245001h	293	1000	245009h	426	1454	245017h	522	1781
	960	300	800	245002h	391	1334	245010h	568	1938	245018h	696	2375
	1160	300	1000	245003h	489	1668	245011h	710	2423	245019h	870	2968
	1360	300	1200	245004h	587	2003	245012h	852	2907	245020h	1044	3562
	1560	300	1400	245005h	685	2337	245013h	994	3392	245021h	1218	4156
	1760	300	1600	245006h	782	2668	245014h	1136	3876	245022h	1392	4750
1960	300	1800	245007h	880	3003	245015h	1278	4361	245023h	1566	5343	
650	560	450	400	245024h	290	989	245032h	386	1317	245040h	478	1631
	760	450	600	245025h	435	1484	245033h	580	1979	245041h	717	2446
	960	450	800	245026h	580	1979	245034h	773	2637	245042h	956	3262
	1160	450	1000	245027h	725	2474	245035h	966	3296	245043h	1195	4077
	1360	450	1200	245028h	870	2968	245036h	1159	3955	245044h	1434	4893
	1560	450	1400	245029h	1015	3463	245037h	1352	4613	245045h	1673	5708
	1760	450	1600	245030h	1160	3958	245038h	1546	5275	245046h	1912	6524
1960	450	1800	245031h	1305	4453	245039h	1739	5933	245047h	2151	7339	
800	460	600	300	245072h	274	935	-	-	-	245073h	461	1573
	560	600	400	245048h	365	1245	245056h	501	1709	245064h	615	2098
	760	600	600	245049h	548	1870	245057h	751	2562	245065h	922	3146
	960	600	800	245050h	730	2491	245058h	1002	3419	245066h	1230	4197
	1160	600	1000	245051h	913	3115	245059h	1252	4272	245067h	1537	5244
	1360	600	1200	245052h	1096	3740	245060h	1502	5125	245068h	1844	6292
	1560	600	1400	245053h	1278	4361	245061h	1753	5981	245069h	2152	7343
	1760	600	1600	245054h	1461	4985	245062h	2003	6834	245070h	2459	8390
1960	600	1800	245055h	1643	5606	245063h	2254	7691	245071h	2767	9441	

Δ t50 is the UK's industry standard for heating outputs, which has an operating temperature of 75/65/20°C. If you have a low temperature heat source you may wish to consider Δ t40 or Δ t30 output (see your installer or system designer or download from www.stelrad.com).

For EN442 data, technical and installation information please visit our website: www.stelrad.com and search product downloads.



WARRANTY (CASING)



WARRANTY (EMITTER)



SAFE TO TOUCH



EPD VERIFIED



MADE TO ORDER

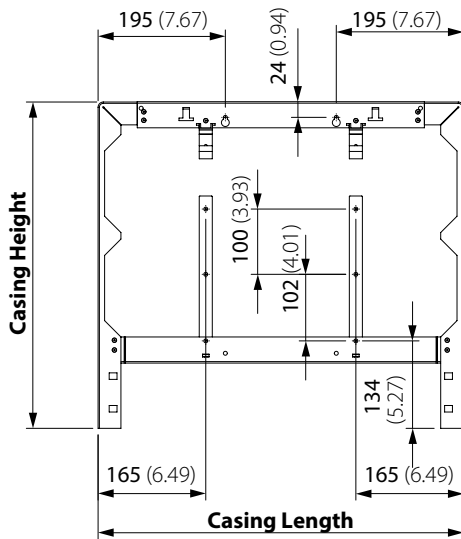


TRAFFIC WHITE ONLY

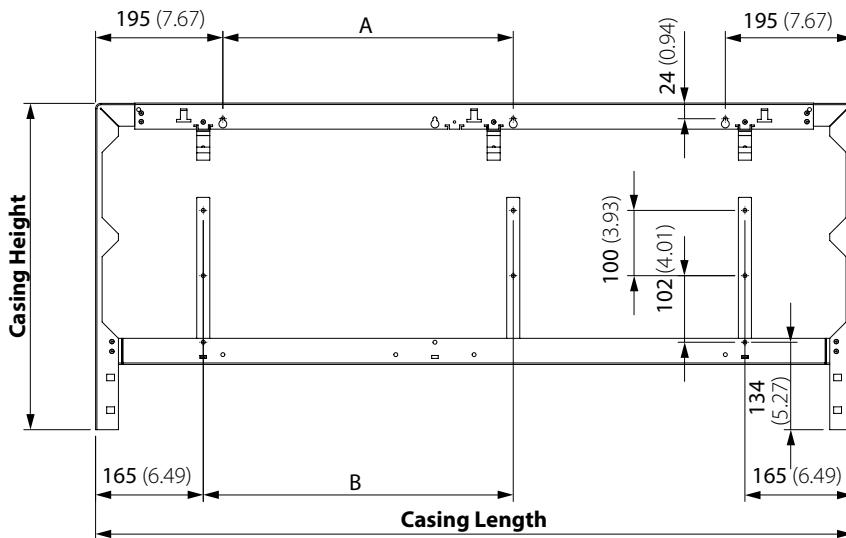
www.stelrad.com
Telephone: 0800 876 6813

WALL FIXINGS & BRACKET POSITIONS

All dimensions in mm. Inches in brackets.



Casing Length mm	Casing Height mm
560	500
760	650
760	800



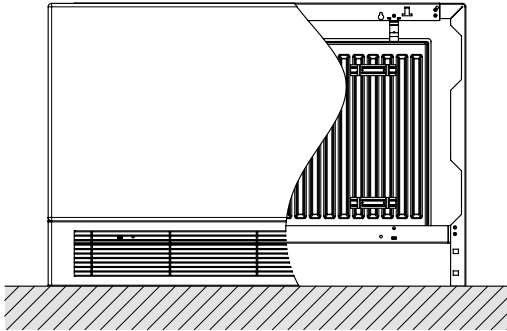
Casing Length mm	A mm	B mm	Casing Height mm
1160	445	475	500
1360	545	575	650
1560	645	675	800
1760	745	775	
1960	745	875	

CONNECTIONS

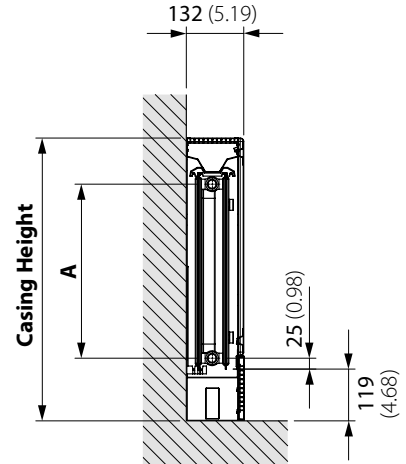
Each radiator comes with ½" inlet connections as standard.

CONNECTION OPTIONS

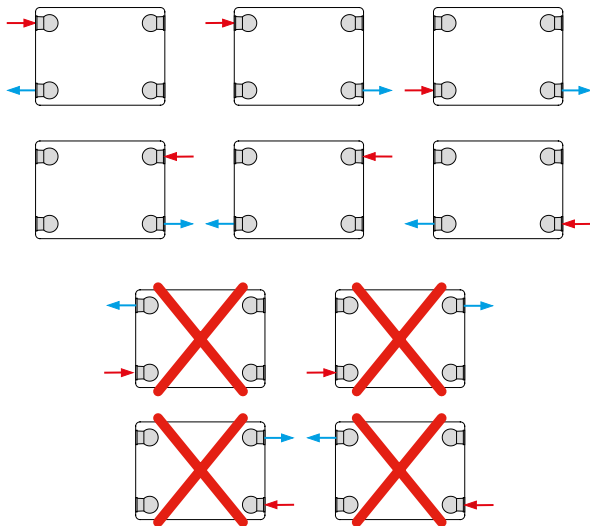
Each radiator comes with ½" inlet connections as standard.
All dimensions in mm. Inches in brackets.



Casing Height mm	A mm
500	250
650	400
800	550



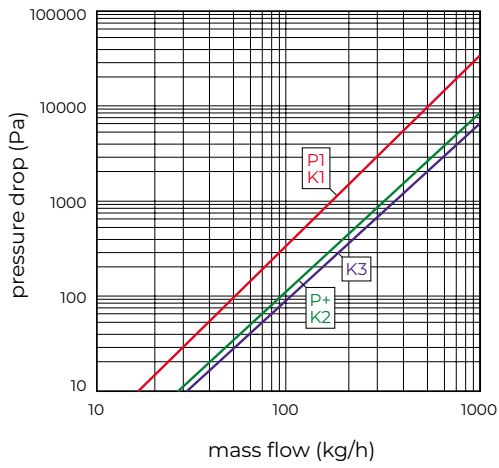
PIPING OPTIONS



EN 442 CERTIFICATION DATA - CETIAT TESTED IN ACCORDANCE WITH BS EN 442

Type	K1			P+			K2		
	500	650	800	500	650	800	500	650	800
Casing height	500	650	800	500	650	800	500	650	800
Emitter height	300	450	600	300	450	600	300	450	600
W/m at 75/65/20	489	725	913	710	966	1252	870	1195	1537
n-coefficients	1.19	1.25	1.34	1.24	1.27	1.31	1.27	1.30	1.32
Heated surface area (m²/m)	2.09	3.37	4.66	2.44	3.84	5.24	3.51	5.62	7.74
Weight (kg/m)	17.80	23.50	29.40	22.70	30.72	38.40	24.40	33.30	42.50
Water contents (l/m)	1.89	2.57	3.25	3.70	5.15	6.60	3.70	5.15	6.60

PRESSURE DROPS



Type	Kv
P1 / K1	1.67
P+ / K2	3.32
K3	3.65

COMPONENTS



LST Standard Deco front case view.



LST Standard Deco inside the casing showing the emitter.



LST Standard Deco emitter, showing high level valve option (valve not included).



LST Standard Deco circular knockout for TRV. Oblong knockout for pipe.