

# HOME

SERIES



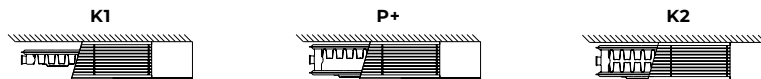
LST i Plus  
Horizontal Line

# LST i PLUS HORIZONTAL LINE



## 50Δt

(75/65/20°C)



Casing Height mm	Casing Length mm	Emitter Height mm	Emitter Length mm	K1			P+			K2		
				Stelrad UIN	Heat output Watts	Heat output Btu/hr	Stelrad UIN	Heat output Watts	Heat output Btu/hr	Stelrad UIN	Heat output Watts	Heat output Btu/hr
<b>500</b>	650	300	400	245200h	196	669	245248h	284	969	245224h	348	1187
	850	300	600	245201h	293	1000	245249h	426	1454	245225h	522	1781
	1050	300	800	245202h	391	1334	245250h	568	1938	245226h	696	2375
	1250	300	1000	245203h	489	1668	245251h	710	2423	245227h	870	2968
	1450	300	1200	245204h	587	2003	245252h	852	2907	245228h	1044	3562
	1650	300	1400	245205h	685	2337	245253h	994	3392	245229h	1218	4156
	1850	300	1600	245206h	782	2668	245254h	1136	3876	245230h	1392	4750
	2050	300	1800	245207h	880	3003	245255h	1278	4361	245231h	1566	5343
<b>650</b>	650	450	400	245208h	290	989	245256h	386	1317	245232h	478	1631
	850	450	600	245209h	435	1484	245257h	580	1979	245233h	717	2446
	1050	450	800	245210h	580	1979	245258h	773	2637	245234h	956	3262
	1250	450	1000	245211h	725	2474	245259h	966	3296	245235h	1195	4077
	1450	450	1200	245212h	870	2968	245260h	1159	3955	245236h	1434	4893
	1650	450	1400	245213h	1015	3463	245261h	1352	4613	245237h	1673	5708
	1850	450	1600	245214h	1160	3958	245262h	1546	5275	245238h	1912	6524
	2050	450	1800	245215h	1305	4453	245263h	1739	5933	245239h	2151	7339
<b>800</b>	650	600	400	245216h	365	1245	245264h	501	1709	245240h	615	2098
	850	600	600	245217h	548	1870	245265h	751	2562	245241h	922	3146
	1050	600	800	245218h	730	2491	245266h	1002	3419	245242h	1230	4197
	1250	600	1000	245219h	913	3115	245267h	1252	4272	245243h	1537	5244
	1450	600	1200	245220h	1096	3740	245268h	1502	5125	245244h	1844	6292
	1650	600	1400	245221h	1278	4361	245269h	1753	5981	245245h	2152	7343
	1850	600	1600	245222h	1461	4985	245270h	2003	6834	245246h	2459	8390
	2050	600	1800	245223h	1643	5606	245271h	2254	7691	245247h	2767	9441

Δt50 is the UK's industry standard for heating outputs, which has an operating temperature of 75/65/20°C. If you have a low temperature heat source you may wish to consider Δt40 or Δt30 output (see your installer or system designer or download from [www.stelrad.com](http://www.stelrad.com)).

For EN442 data, technical and installation information please visit our website: [www.stelrad.com](http://www.stelrad.com) and search product downloads.



WARRANTY (CASING)



WARRANTY (EMITTER)



SAFE TO TOUCH



EPD VERIFIED



MADE TO ORDER



TRAFFIC WHITE ONLY

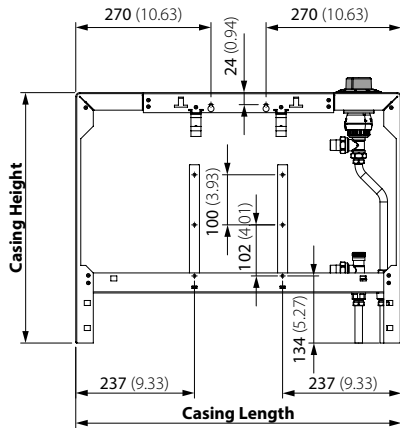
[www.stelrad.com](http://www.stelrad.com)  
Telephone: 0800 876 6813

# LST i PLUS HORIZONTAL LINE

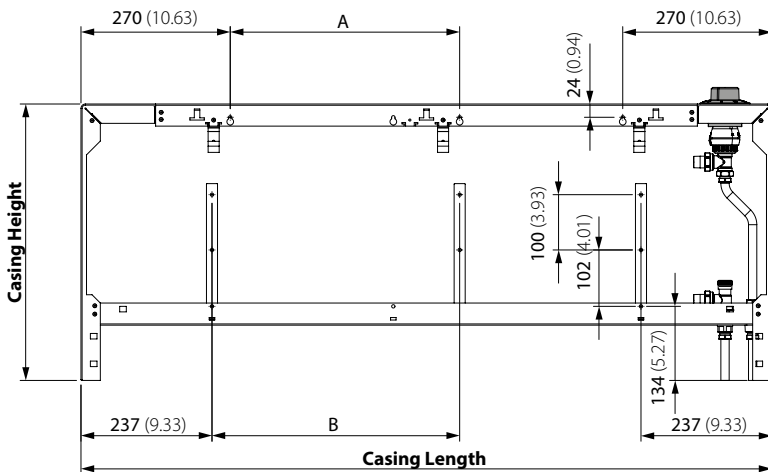


## WALL FIXINGS AND BRACKET POSITIONS

All dimensions in mm. Inches in brackets.



Casing Length mm	Casing Height mm
650	500
850	650
1050	800



Casing Length mm	A mm	B mm	Casing Height mm
1250	415	448	500
1450	515	548	650
1650	615	648	800
1850	715	748	
2050	815	848	

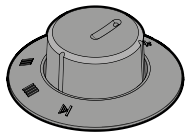
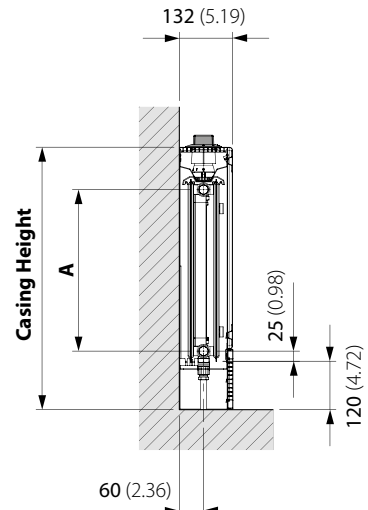
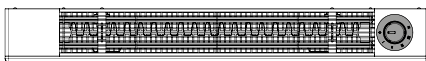
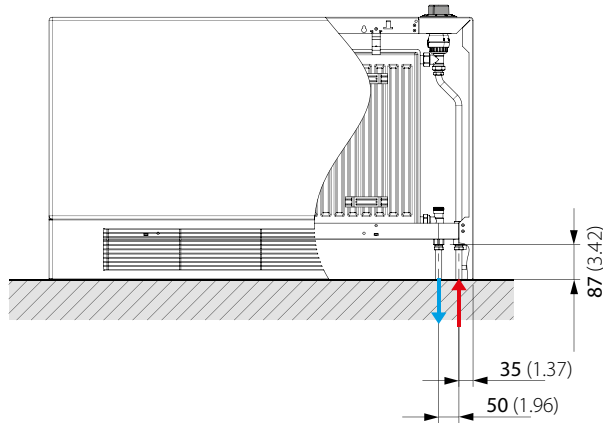
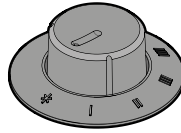
# LST i PLUS HORIZONTAL LINE



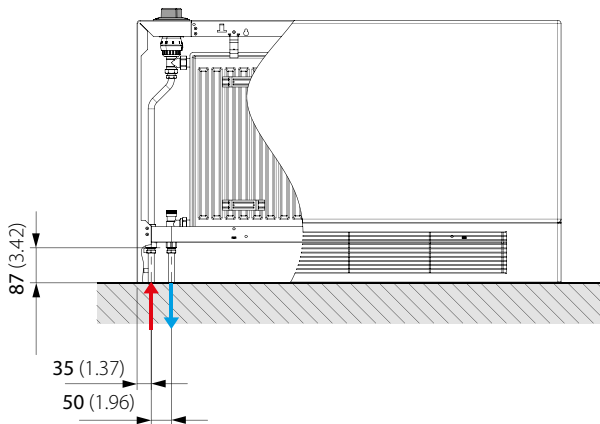
## CONNECTION OPTIONS

Each radiator comes with ½" inlet connections as standard.  
All dimensions in mm. Inches in brackets.

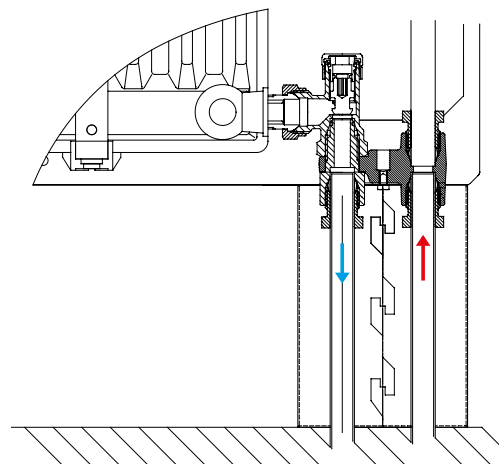
### CONTROL ON RIGHT-HAND SIDE



### CONTROL ON LEFT-HAND SIDE



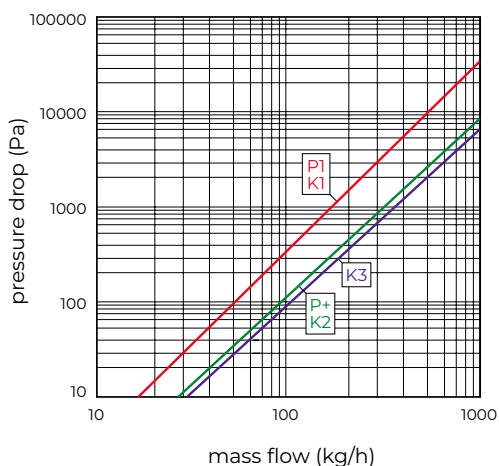
### PIPE CONFIGURATIONS



## EN 442 CERTIFICATION DATA - CETIAT TESTED IN ACCORDANCE WITH BS EN 442

Type	K1			P+			K2		
	500	650	800	500	650	800	500	650	800
Casing height	500	650	800	500	650	800	500	650	800
Emitter height	300	450	600	300	450	600	300	450	600
W/m at 75/65/20	489	725	913	710	966	1252	870	1195	1537
n-coefficients	1.19	1.25	1.34	1.24	1.27	1.31	1.27	1.30	1.32
Heated surface area (m <sup>2</sup> /m)	2.09	3.37	4.66	2.44	3.84	5.24	3.51	5.62	7.74
Weight (kg/m)	17.80	23.50	29.40	22.70	30.72	38.40	24.40	33.30	42.50
Water contents (l/m)	1.89	2.57	3.25	3.70	5.15	6.60	3.70	5.15	6.60

## PRESSURE DROPS



Type	Kv
P1 / K1	1.67
P+ / K2	3.32
K3	3.65

## COMPONENTS



LST i Plus Deco front case view.



LST i Plus Deco inside the casing showing the emitter.



LST i Plus Deco oblong knockout for pipe.



Optional cover cap to discourage unauthorised tampering.



An anhrthetic adaptor is supplied as standard for special needs environments.



Accommodated within the casing, the Stelrad LST i Plus Deco emitter, with TBSE valve arrangement and 2 x 1/2" BSP connections as standard.



Includes Danfoss RA-2000 TRV and copper pipe configuration.



The remote sensing thermostatic valve gives accuracy of operation and the limiting device is completely hidden to prevent the maximum temperature being exceeded.