

# **ELECTRiC**<sup>®</sup>

SERIES



ALU SIMPLE  
DRY  
ANTHRACITE

# STELRAD ALU SIMPLE DRY - ANTHRACITE

ELECTRIC RADIATORS

The Alu Simple Dry is an aluminium radiator with double lateral tubes encasing a natural volcanic stone. Using dry inertia technology, the radiator heats the air in your rooms via a process of convection with a soft and continuous heat, this means less energy consumption and quicker heat up times as the internal stone gently adapts to the desired temperature.

Corrosion resistant with no fluids or chemicals and with no chance of leaks, this has a high energy efficiency rating due to the stone's natural ability to absorb, hold and radiate heat faster and for longer.

Stelrad UIN	Colour	Height mm	Length mm	Heat output		Electric voltage - Frequency
				Power (Watts)	Btu/hr	
E019-0580-0600	Anthracite	580	600	1000	3414	230V - 50Hz
E019-0580-0840	Anthracite	580	840	1500	5121	230V - 50Hz
E019-0580-1080	Anthracite	580	1080	2000	6828	230V - 50Hz



## Integrated control panel

The colour coordinated push button digital control with an LCD display is located on the top right hand side of the radiator, with numerous functions for efficiency, energy saving and safety in mind.



## Infrared remote control

A colour coordinated hand held digital remote control is available, with wall mounting brackets with numerous functions for efficiency, energy saving and safety in mind.

## Installation

This radiator must be wall mounted and must not be installed immediately below or in front of a power socket or in contact with the wall or floor. If installed within a bathroom, the radiator must be mounted outside zone 1 and the switch / electric control must be in zone 3.

Please note: The cable entry point is situated on the bottom right-hand side.

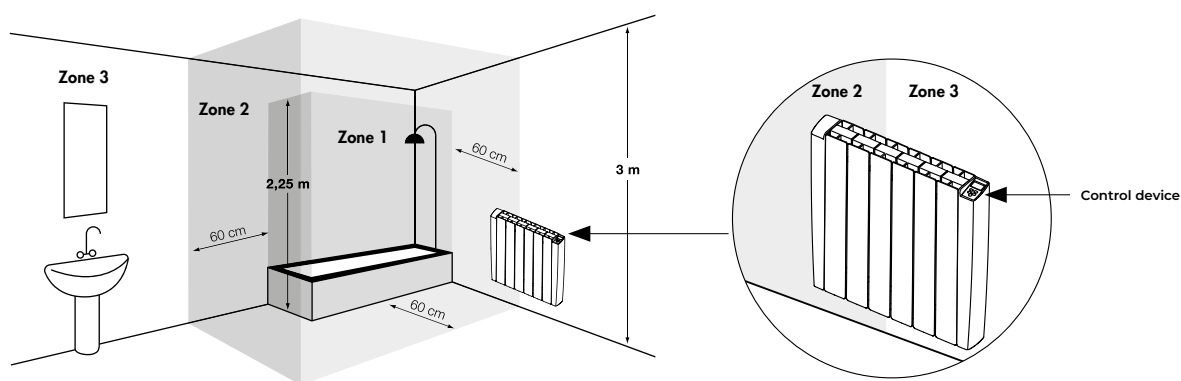


# STELRAD ALU SIMPLE DRY - ANTHRACITE

ELECTRIC RADIATORS

## Positioning and installing

- The appliance is designed to heat domestic rooms or similar. It must not be used for other purposes.
- The appliance must be used permanently mounted on a wall as described in the instructions.
- Install the appliance with the control panel at the top.
- In bathrooms (with bath or shower), install the appliance outside zone 1
- The appliance must be installed in such a way that the electronic controls and other control devices may not be touched by someone in the bath or shower. The electronic controls and other control devices must always be in zone 3. The appliance must not be connected with a plug.
- This product comes with a 900mm colour coordinated cable (no plug), so it can be spur wired to the heating circuit.
- Respect the distances shown.
- Never install the appliance:
  - Immediately below or in front of a power socket or a junction box
  - In contact with the wall or floor
  - Near curtains, flammable or combustible materials or pressure vessels
- Make sure there are no pipes or electric wires in the wall which could be damaged while mounting the appliance.
- The appliance is equipped with a sensor which can detect an Open Window, if present above the radiator or within the room. For a proper operation, it is strongly recommended to comply to the installation directions reported in Ch. 4.3.1 before wall mounting.
- No need to maintain or service this product once installed. However, should any technical problems arise, contact a qualified professional or your local dealer. All operations on the appliance must be carried out by a qualified professional who before performing maintenance must make sure the appliance is turned off, cold and disconnected from the household mains.



# STELRAD ALU SIMPLE DRY - ANTHRACITE

ELECTRIC RADIATORS

## Electrical connection

- You are recommended to have the appliance installed by a qualified professional.
- The appliance must be installed in compliance with national legislation regulating electrical equipment and installations. When the appliance is installed, make sure the power is off and the mains switch is in the “O” position.
- The appliance requires a 230 V ~ 50 Hz power supply. Make sure the power line is appropriate for the data shown on the appliance’s rating plate.

Voltage: 230 V ~ 50 Hz

Insulation class: II

Protection class: IP24

Power [W]	Length [cm]	Height [cm]	Weight [kg]	Rated current [A]
700	52	58	15	3
1000	60	58	18	4,5
1500	84	58	25	6,5
2000	108	58	33	9

- Make sure the fixed power line is fitted with a disconnecting switch allowing the appliance to be disconnected completely from the household mains, included the Pilot Wire, when present, in accordance with the wiring rules.

If the appliance is installed in a bathroom, the power line must be fitted with a 30 mA RCD (high sensitivity residual current protection device). The power supply line and Pilot Wire control unit must be protected by the same RCD. Permanently connected appliances must be connected using a connector block placed within a proper junction box.

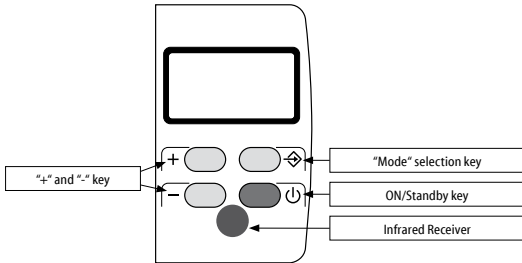
When installing the appliance in damp rooms (kitchen, bathroom), the point of connection with the household mains must be at least 25 cm from the floor. Respect the wiring diagram in figure 8 scrupulously.

- If the Pilot Wire is not connected to the programming unit, it must be terminated and insulated. Under no circumstances should the Pilot Wire be connected to the earth.

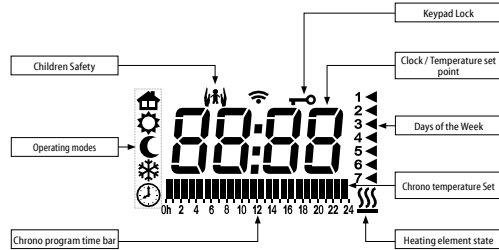
# STELRAD ALU SIMPLE DRY - ANTHRACITE

ELECTRIC RADIATORS

## Control Panel



## Display



## Operating modes (for the Control Panel and Remote Control)



## Functions (for the Control Panel and Remote Control)



## Remote control

The radiator can also be programmed with the infrared remote control, included in the packaging.

The remote control communicates with the appliance by infrared rays. For efficient communication, point the remote control at the receiver on the appliance.

The distance between the remote control and the receiver must not be more than 5m.

Always handle the remote control with great care and place it within the special plastic container for wall mounting, included in the packaging.

Do not drop the remote control nor leave it exposed to direct sunlight. Do not spray water or other liquids onto the remote control. Do not rest the remote control on the top of the radiator or near other intense sources of heat.

