

# ELECTRIC<sup>®</sup>

## SERIES



**ALYNE**

The Alyne is an oil filled radiator made with slimline and compact vertical flat columns which stylishly curve at the top. The Alyne is a fluid filled radiator which heats up by using an electrical element immersed in thermodynamic oil inside. This maintenance free and specially formulated fluid is designed to distribute the heat quickly and evenly across the radiator, which in turn emits the heat into your room through radiation.

This aluminium radiator has a high heat transfer and a lower surface temperature, so it is practical, user-friendly and ensures the maximum flexibility in terms of use. It is then an excellent solution when different areas of the house have different temperature needs.

Stelrad UIN	Colour	Height mm	Length mm	Heat output		Electric voltage - Frequency	Stelrad price exc. VAT	Stelrad price inc. VAT
				Power (Watts)	Btu/hr			
E022-0580-0580	White	580	580	1000	3414	230V - 50Hz	£293.39	£352.06
E022-0580-0820	White	580	820	1500	5121	230V - 50Hz	£362.87	£435.44
E022-0580-0980	White	580	980	1800	6145	230V - 50Hz	£405.76	£486.92

### Integrated control panel

The colour coordinated digital touch screen control is located on the top right hand side of the radiator, with numerous functions for efficiency, energy saving and safety in mind.



### Installation

This radiator must be wall mounted and must not be installed immediately below or in front of a power socket or in contact with the wall or floor. If installed within a bathroom, the radiator must be mounted outside zone 1 and the switch / electric control must be in zone 3.

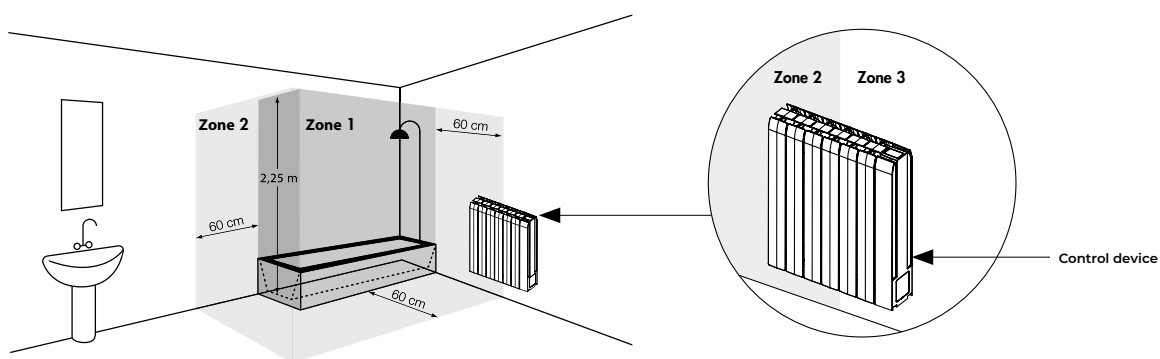
For further information, please visit [stelrad.com](http://stelrad.com)

Please note: the cable entry point is situated on the bottom right-hand side.




### Positioning and installing

- The appliance is designed to heat domestic rooms or similar. It must not be used for other purposes.
- The appliance must be used permanently mounted on a wall as described in the instructions.
- Install the appliance with the control panel at the top.
- In bathrooms (with bath or shower), install the appliance outside zone 1
- The appliance must be installed in such a way that the electronic controls and other control devices may not be touched by someone in the bath or shower. The electronic controls and other control devices must always be in zone 3. The appliance must not be connected with a plug.
- This product comes with a 900mm colour coordinated cable (no plug), so it can be spur wired to the heating circuit.
- Respect the distances shown.
- Never install the appliance:
  - Immediately below or in front of a power socket or a junction box
  - In contact with the wall or floor
  - Near curtains, flammable or combustible materials or pressure vessels
- Make sure there are no pipes or electric wires in the wall which could be damaged while mounting the appliance.
- The appliance is equipped with a sensor which can detect an Open Window, if present above the radiator or within the room. For a proper operation, it is strongly recommended to comply to the installation directions reported in Ch. 4.3.1 before wall mounting.
- No need to maintain or service this product once installed. However, should any technical problems arise, contact a qualified professional or your local dealer. All operations on the appliance must be carried out by a qualified professional who before performing maintenance must make sure the appliance is turned off, cold and disconnected from the household mains.



### Electrical connection

- To be installed by a specialised engineer in accordance with the applicable standards in the country concerned. When the appliance is installed, make sure the power is off and the mains switch is in the “O” position.
- The appliance requires a 230 V ~ 50 Hz power supply. Make sure the power line is appropriate for the data shown on the appliance’s rating plate.

Voltage: 230 V ~ 50 Hz  
 Insulation class: II   
 Protection class: IPx4

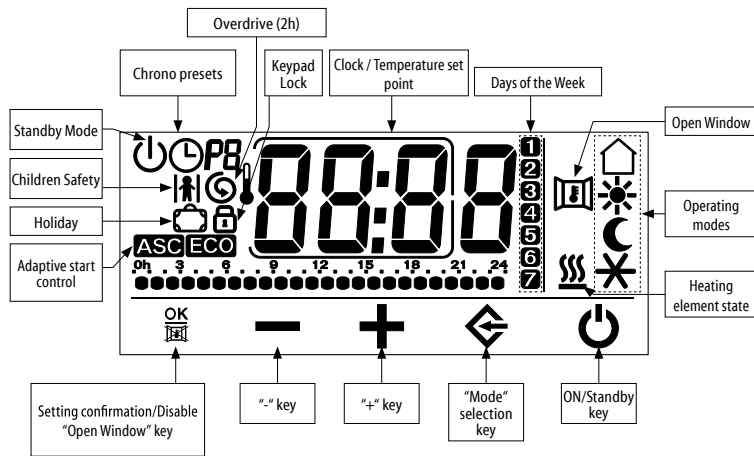
TYPE	Power [W]	Length [cm]	Height [cm]	Weight [kg]	Rated current [A]
GYA0610F	1000	56	58	12,3	4,5
GYA0915F	1500	80	58	18,7	6,5
GYA1118F	1800	96	58	22,3	8

- Make sure the fixed power line is fitted with a disconnecting switch allowing the appliance to be disconnected completely from the household mains, included the Pilot Wire, when present, in accordance with the wiring rules.
- If the appliance is installed in a bathroom, the power line must be fitted with a 30 mA RCD (high sensitivity residual current protection device). The power supply line and Pilot Wire control unit must be protected by the same RCD. Permanently connected appliances must be connected using a connector block placed within a proper junction box.

When installing the appliance in damp rooms (kitchen, bathroom), the point of connection with the household mains must be at least 25 cm from the floor.

- If the Pilot Wire is not connected to the programming unit, it must be terminated and insulated. Under no circumstances should the Pilot Wire be connected to the earth.
- Make sure the power cable cannot in any way come into contact with the surface of the appliance.

## Control Panel



## Operating modes

Pilot Wire (n/a in the UK)
 Comfort
 Night / Eco
 Anti-freeze
 Chrono
 Energy saving
 Standby

## Functions

Adaptive Start Control
 Open window
 Child safety
 Override
 Holiday
 Keypad lock
 Reset
 Changing set point