

HORIZONTAL PANEL RADIATOR INSTALLATION INSTRUCTIONS



Health and Safety

Consult your employers manual handling risk assessment before manually handling any radiators. Many of Stelrad's products are more than 25Kg. Care should be taken and assistance sought when lifting large, heavy and bulky loads to avoid potential injuries. Safety gloves are advisable for protection.

For your own safety please refrain from placing your hands – fingers between and down the back of the radiator to prevent possible injury.

Warranty

The warranty covers any defect that is attributable to a manufacturing, assembly, or material fault. The warranty covers all parts and labour for the first twelve months and all parts for the remaining period. The warranty does not cover pinholes or other issues caused by insufficient cleansing or protection of the central heating system.

For full details of the warranty please contact Technical@Stelrad.com or ring **0800 876 6813**.

Recycling Instructions

Ensure all packaging materials are disposed of in a safe and environmentally friendly manner

The installation should be carried out by a qualified engineer or competent person in accordance with BS 12828:2012. When carrying out alterations to the existing installation pipework it is important that upon completion and commissioning the system is thoroughly flushed and dosed in compliance with BS 7593:2019.

Product Specification

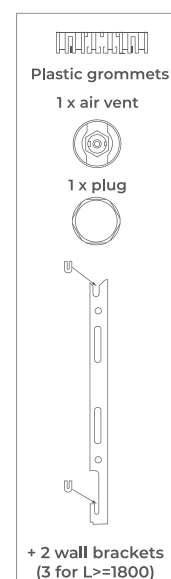
Included within Stelrad horizontal panel radiator packaging.

- Top grille. NA – Elite Range
- Two side panels. NA – Elite Range
- Radiator Brackets x 2 - (3 x For Radiators over 1800mm)
- Vent, Blanking plug and Plastic Grommets. (Blue Bag)
- Vent, blanking plug, Plastic Grommets and Branding Clips. (Red Bag)

Not Included in the packaging

- Plugs and Screws.

Fig. 1



Radiator Installation

Prior to installation inspect and check the radiator for damage, ensure contents are complete (Fig 1)

Please read the instructions carefully prior to installation.

- Using the given dimensions, position the brackets, mark, and drill the wall if required
- Using the appropriate wall fixings, secure the brackets to the wall
- Please see Stelrad recommended clearances either side and below - Fig 2

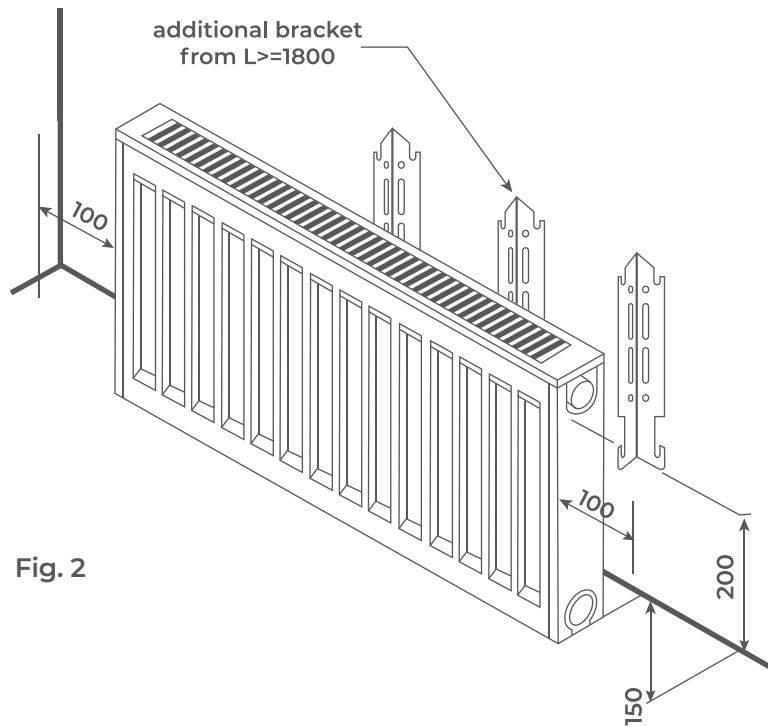
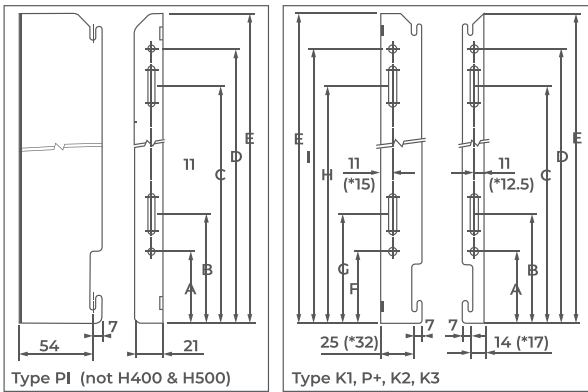


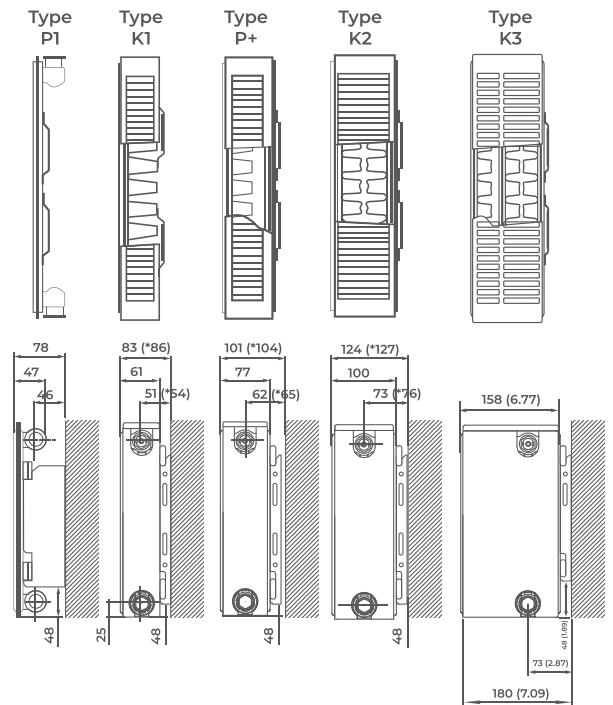
Fig. 2

- Fit the plastic grommets to the brackets, remove the transit plugs from the radiator, fit the Vent and Blank plugs, taking care not to overtighten – No tape or seal required.
- Install the radiator valve tails. (As per manufacturer's instructions and requirements)
- Position the Radiator on the brackets, carry out alterations to suit the pipework and valves, if required
- If connecting to plastic pipework, Anti Lift Brackets are available from Stelrad.
- With pipework complete, the heating turned off, allow for the water to cool, open both valves, fill and vent the radiator whilst checking for leaks.
- If the system is a sealed system, adjust the pressure to suit the correct working pressure.

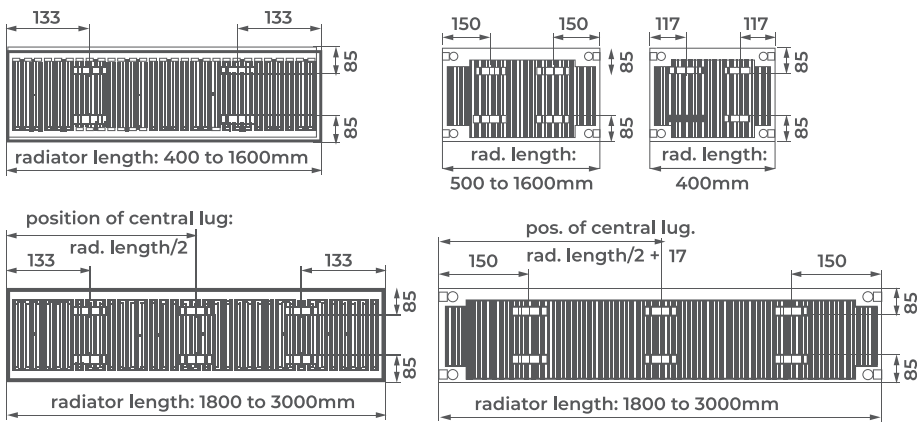
Brackets



Radiator Types



Lug Positions



Sizes

RAD HEIGHT	300	400	450	500	600	700
A	65	107	65	65	65	65
B	119	90	99	99	99	99
C	-	240	269	319	419	519
D	153	257	303	354	453	553
E	185	275	335	385	485	585
F	65	16	65	65	65	65
G	119	55	99	99	99	99
H	-	255	269	319	419	519
I	153	218	303	354	453	553