

VERTICAL PANEL RADIATOR INSTALLATION INSTRUCTIONS



Health and Safety

Consult your employers manual handling risk assessment before manually handling any radiators. Many of Stelrad's products are more than 25Kg. Care should be taken and assistance sought when lifting large, heavy and bulky loads to avoid potential injuries. Safety gloves are advisable for protection.

For your own safety please refrain from placing your hands – fingers between and down the back of the radiator to prevent possible injury.

Warranty

The warranty covers any defect that is attributable to a manufacturing, assembly, or material fault. The warranty covers all parts and labour for the first twelve months and all parts for the remaining period. The warranty does not cover pinholes or other issues caused by insufficient cleansing or protection of the central heating system.

For full details of the warranty please contact Technical@Stelrad.com or ring **0800 876 6813**.

Recycling Instructions

Ensure all packaging materials are disposed of in a safe and environmentally friendly manner

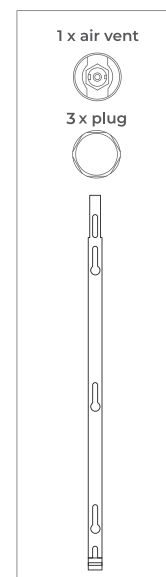
The installation should be carried out by a qualified engineer or competent person in accordance with BS 12828:2012. When carrying out alterations to the existing installation pipework it is important that upon completion and commissioning the system is thoroughly flushed and dosed in compliance with BS 7593:2019.

Product Specification

Included within Stelrad vertical panel radiator packaging.

- 2 x Full height J brackets
- 2 x Headsets – including 2 white cover caps
- 3 x ½" Blanking plug
- 1 x ½" Air vent
- 4 x Screws & plugs (Yellow bag)
- 2 x Anchor bolts & plugs

Fig. 1

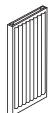




Radiator Installation

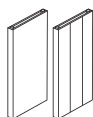
Prior to installation inspect and check the radiator for damage, ensure contents are complete (Fig 1)

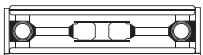

Please read the instructions carefully prior to installation.

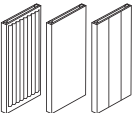
Radiator types, sizes and dimensions:



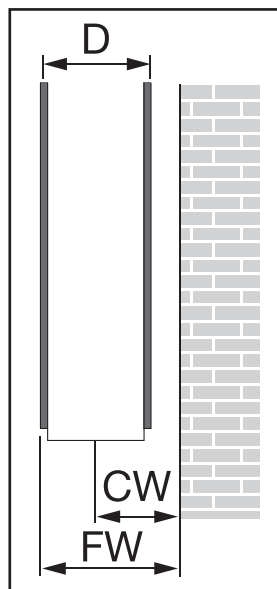
		D	CW	FW
	P2	77	65	104
	K2	100	77	127



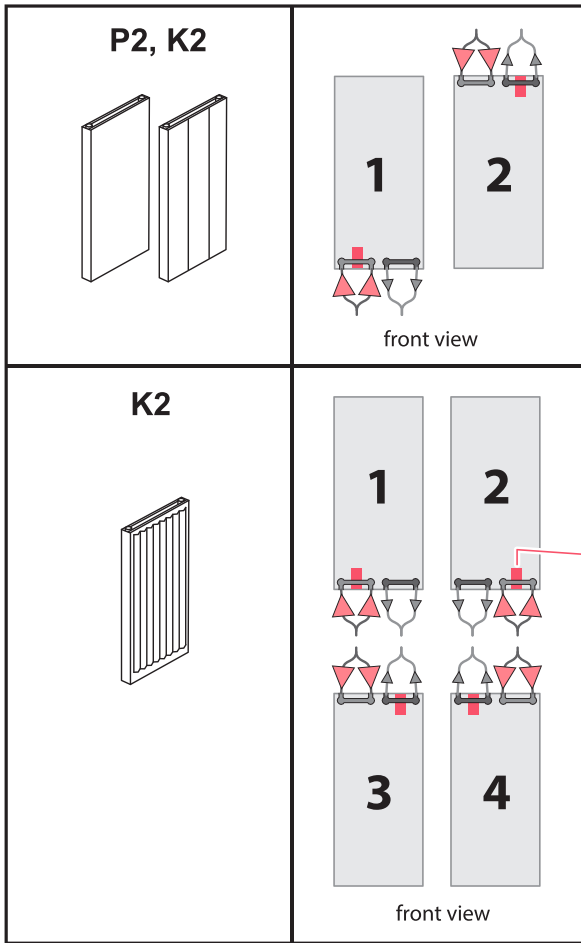
		D	CW	FW
	P2	79	65	106
	K2	102	77	129

P2 - K2		H2	H3	H4
	H1600	70	740	1410
	H1800	70	840	1610
	H2000	70	940	1810
	H2200	70	1040	2010

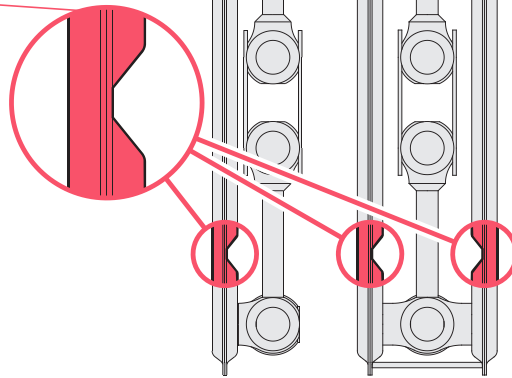
B	L300	L400	L500	L600	L700
P2 - K2	60	110	160	210	260



Radiator Installation

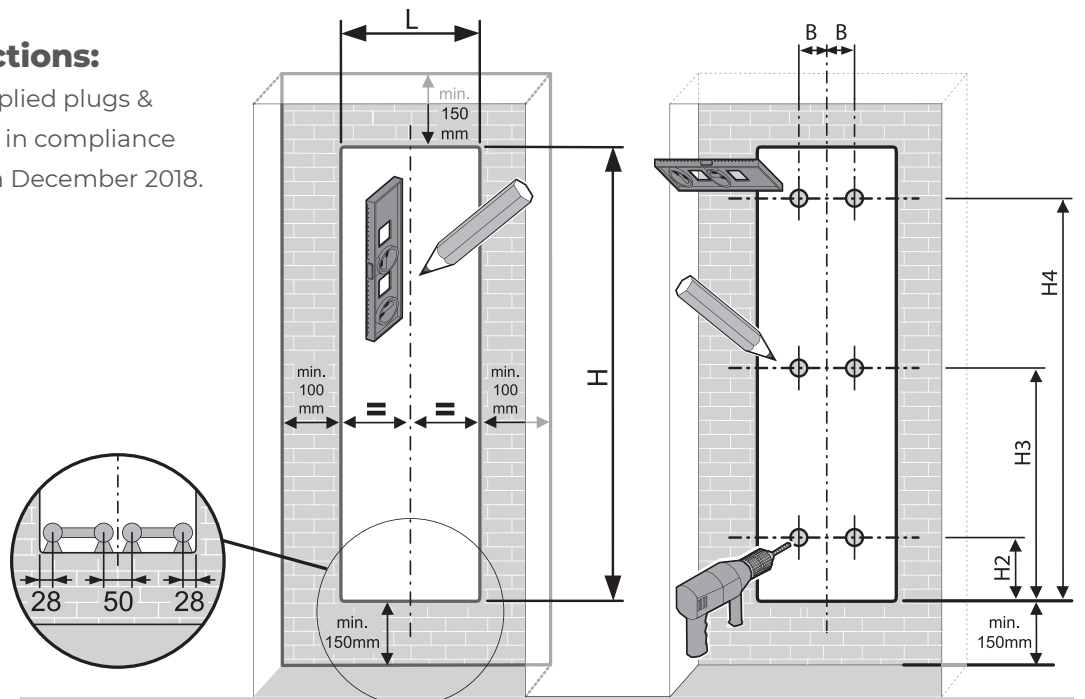
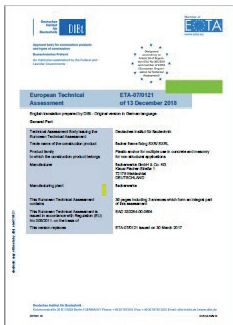


Plastic plugs must be removed

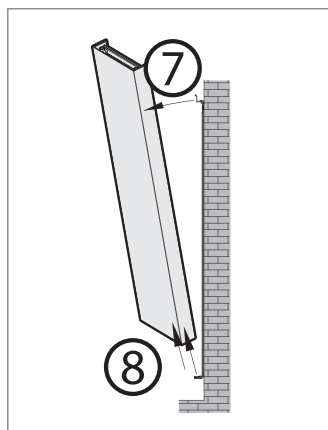
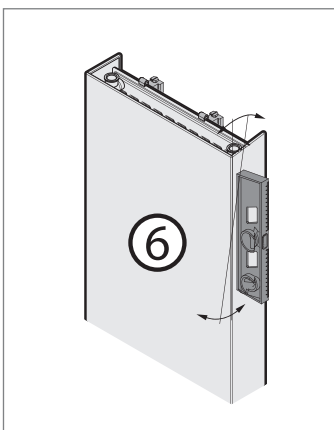
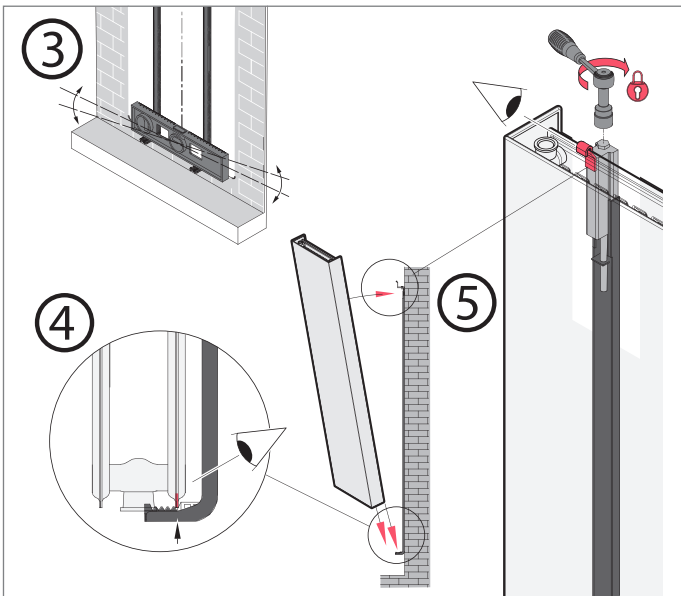
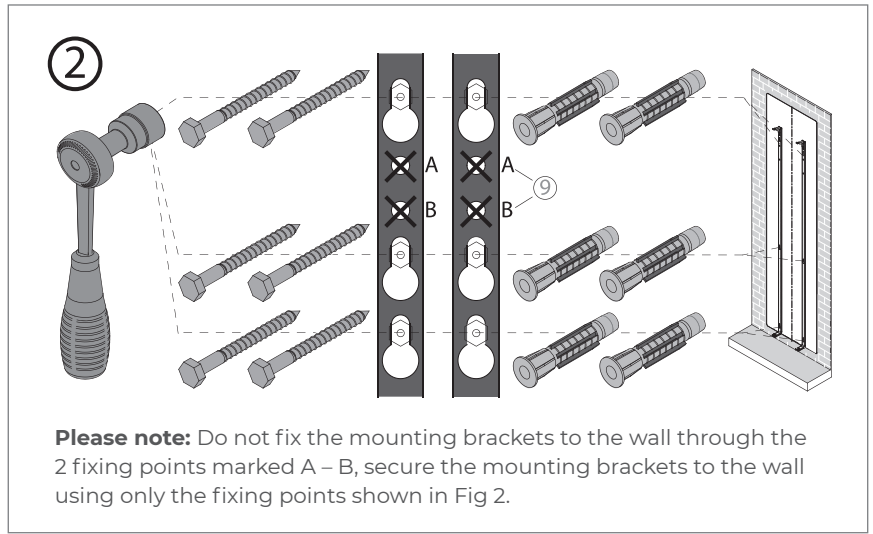
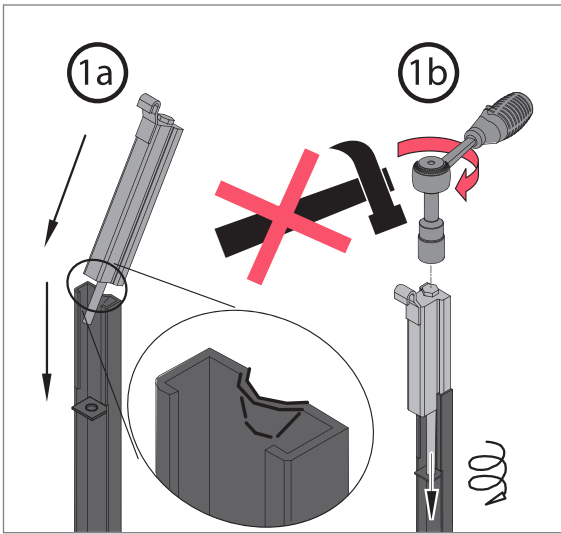


Mounting Instructions:

Please use only the supplied plugs & screws in suitable walls, in compliance with ETA-07/0121 of 13th December 2018.



Mounting Instructions P2, K2



Please note: Once satisfied with the final fixed position of the mounting brackets and radiator, remove the radiator from the mounting brackets, following the installation.

