

# HOME

SERIES



Classic  
Compact  
200

# CLASSIC COMPACT 200



**50 $\Delta$ t**  
(75/65/20°C)

K3



K4



Height mm	Length mm	Sections	Stelrad UIN	Heat output		Stelrad UIN	Heat output	
				Watts	Btu/hr		Watts	Btu/hr
<b>200</b>	800	24	20023308h	746	2545	20024408h	970	3310
	1000	30	20023310h	933	3183	20024410h	1212	4135
	1200	36	20023312h	1120	3821	20024412h	1454	4961
	1400	42	20023314h	1306	4456	20024414h	1697	5790
	1600	48	20023316h	1493	5094	20024416h	1939	6616
	1800	54	20023318h	1679	5729	20024418h	2182	7445
	2000	60	20023320h	1866	6367	20024420h	2424	8271

$\Delta$ t50 is the UK's industry standard for heating outputs, which has an operating temperature of 75/65/20°C. If you have a low temperature heat source you may wish to consider  $\Delta$ t40 or  $\Delta$ t30 output (see your installer or system designer or download from [www.stelrad.com](http://www.stelrad.com)).

For EN442 data, technical and installation information please visit our website: [www.stelrad.com](http://www.stelrad.com) and search product downloads.



WARRANTY



EPD  
VERIFIED



IN STOCK



TRAFFIC  
WHITE ONLY

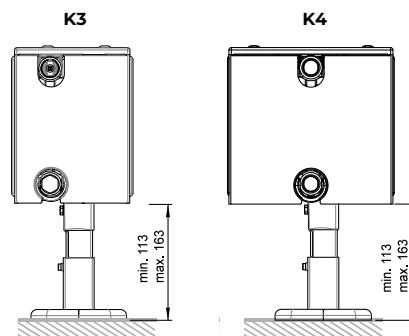
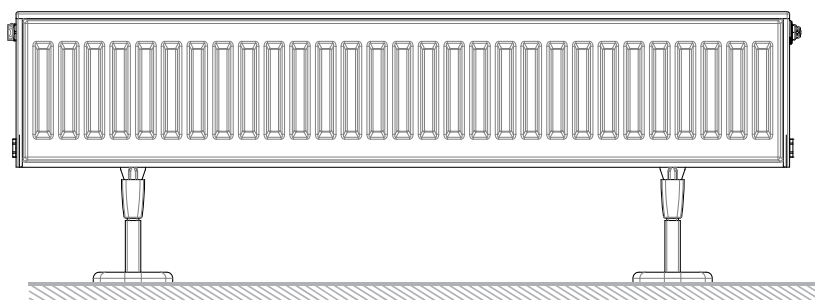
[www.stelrad.com](http://www.stelrad.com)  
Telephone: 0800 876 6813

# CLASSIC COMPACT 200

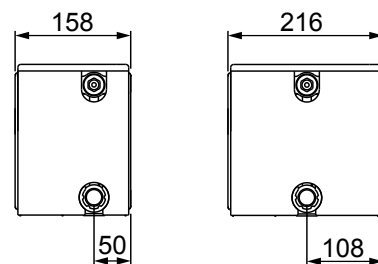


## FLOOR MOUNTING INFORMATION

All dimensions in mm.

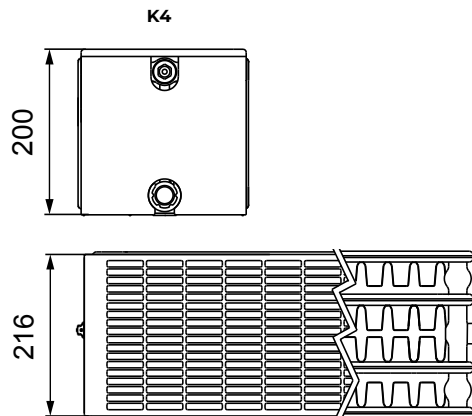
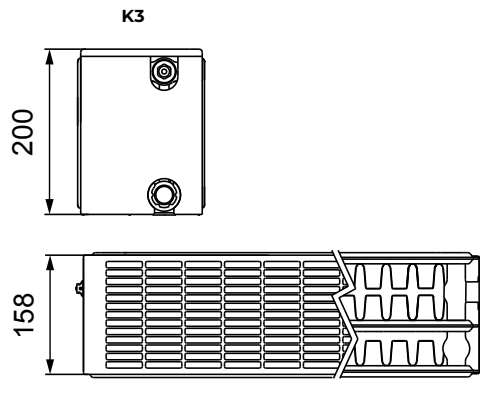


Floor mounting bracket comes as standard (200mm only).



## PANEL INFORMATION

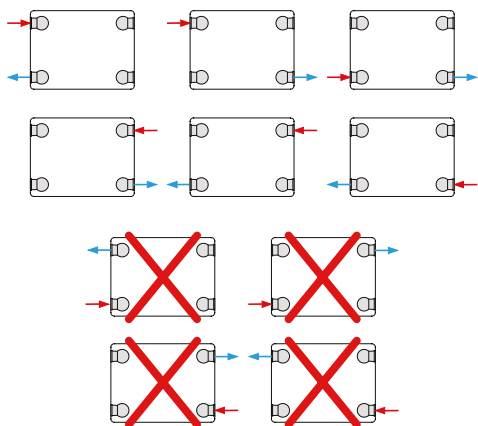
All dimensions in mm.



## CONNECTIONS

Each radiator comes with 1/2" inlet connections as standard.

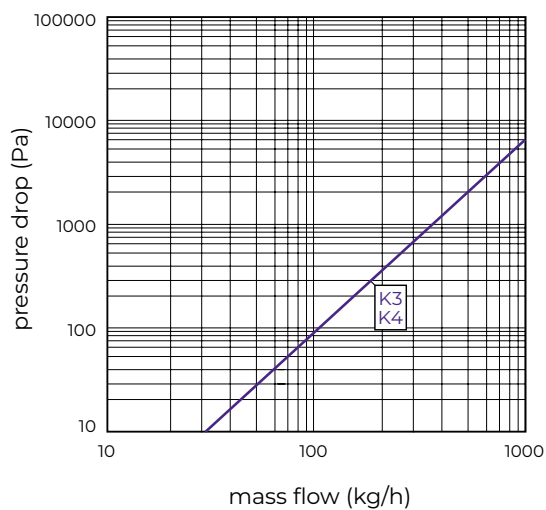
## PIPING OPTIONS



## EN 442 CERTIFICATION DATA - CETIAT TESTED IN ACCORDANCE WITH BS EN 442

Type	K3	K4
Height	200	200
W/m at 75/65/20	933	1212
n-coefficients	1.29	1.30
Heated surface area (m <sup>2</sup> /m)	3.08	4.10
Weight (kg/m)	15.40	20.80
Water contents (l/m)	4.20	5.60
K <sub>m</sub>	5.9610	7.4320

## PRESSURE DROPS



Type	Kv
K3 / K4	3.65