

HOME

SERIES



Heavy Duty
Deco

HEAVY DUTY DECO



50 Δ t
(75/65/20°C)

K1



K2



Height mm	Length mm	Stelrad UIN	Heat output		Stelrad UIN	Heat output	
			Watts	Btu/hr		Watts	Btu/hr
450	400	7641104h	268	914	7642204h	500	1706
	600	7641106h	403	1375	7642206h	750	2559
	800	7641108h	537	1832	7642208h	999	3409
	1000	7641110h	672	2293	7642210h	1249	4262
	1200	7641112h	806	2750	7642212h	1499	5115
	1400	7641114h	941	3211	7642214h	1749	5968
	1600	7641116h	1075	3668	7642216h	1999	6821
	1800	7641118h	1209	4125	7642218h	2248	7670
	2000	7641120h	1362	4647	7642220h	2546	8687
600	400	7661104h	348	1187	7662204h	640	2184
	600	7661106h	522	1781	7662206h	961	3280
	800	7661108h	696	2375	7662208h	1281	4372
	1000	7661110h	870	2968	7662210h	1601	5464
	1200	7661112h	1044	3562	7662212h	1921	6556
	1400	7661114h	1218	4156	7662214h	2241	7649
	1600	7661116h	1392	4750	7662216h	2562	8744
	1800	7661118h	1566	5343	7662218h	2882	9836
	2000	7661120h	1740	5937	7662220h	3202	10928

Δ t50 is the UK's industry standard for heating outputs, which has an operating temperature of 75/65/20°C. If you have a low temperature heat source you may wish to consider Δ t40 or Δ t30 output (see your installer or system designer or download from www.stelrad.com).

For EN442 data, technical and installation information please visit our website: www.stelrad.com and search product downloads.



WARRANTY



EPD
VERIFIED



TRAFFIC
WHITE ONLY

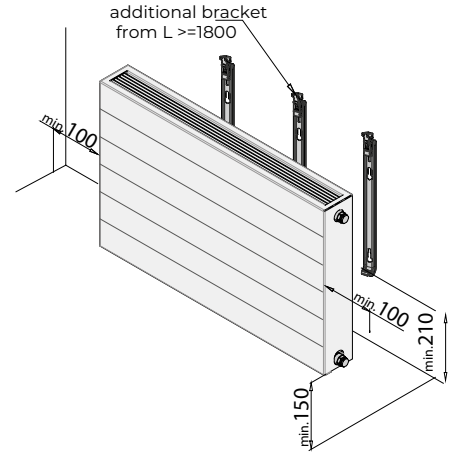
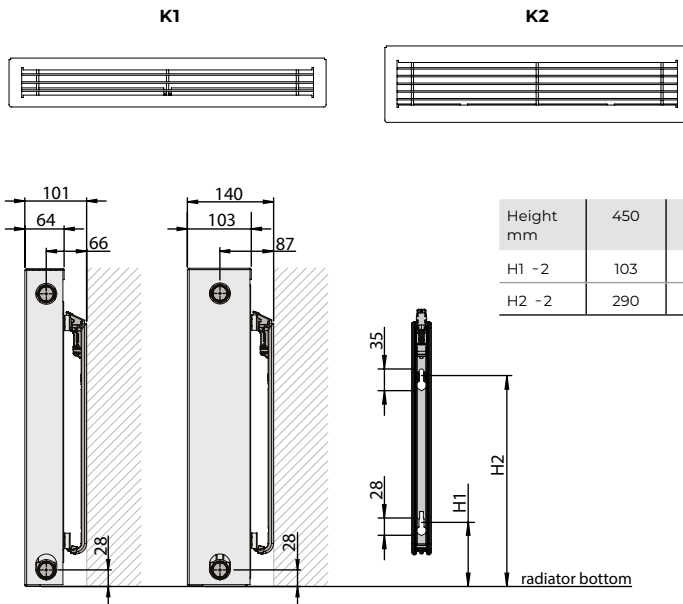
www.stelrad.com
Telephone: 0800 876 6813

HEAVY DUTY DECO

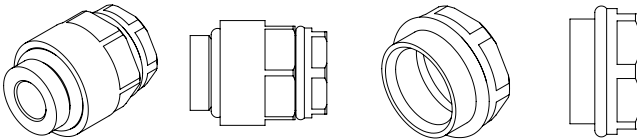


WALL MOUNTING INFORMATION

All dimensions in mm. Inches in brackets.



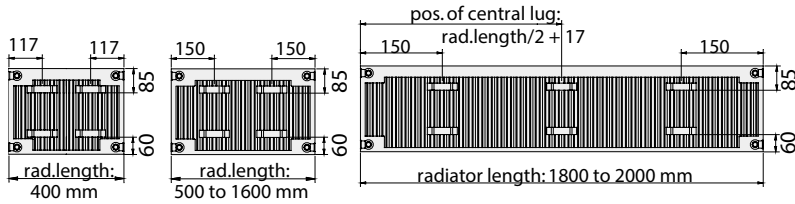
EXTENSION PIECE AND AIR VENT IS INCLUDED IN THE HARDWARE PACK



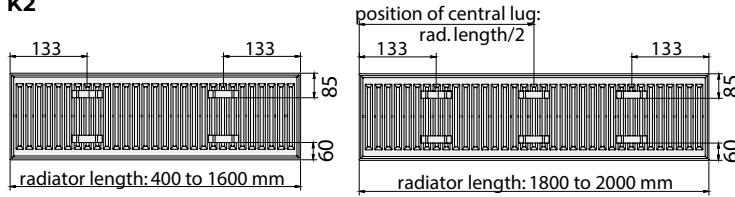
K1 AND K2 LUG POSITIONS

All dimensions in mm. Inches in brackets.

K1



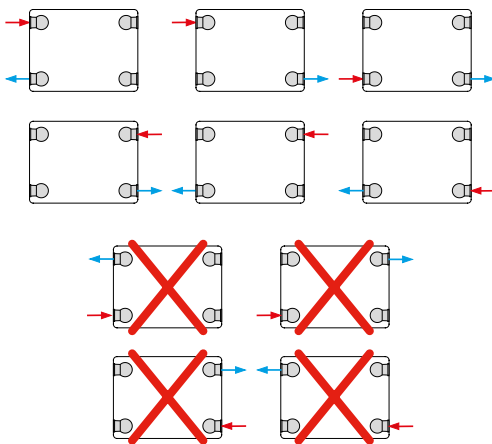
K2



CONNECTIONS

Each radiator comes with 1/2" inlet connections as standard.

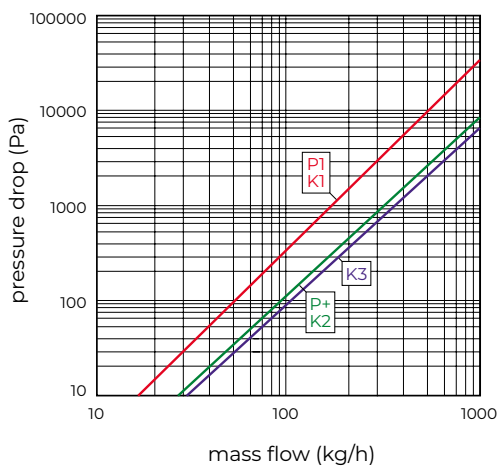
PIPING OPTIONS



EN 442 CERTIFICATION DATA - CETIAT TESTED IN ACCORDANCE WITH BS EN 442

Type	K1		K2	
Height	450	600	450	600
W/m at 75/65/20	681	870	1273	1601
n-coefficients	1.27	1.28	1.31	1.31
Heated surface area (m ² /m)	3.37	4.66	5.62	7.74
Weight (kg/m)	18.22	24.27	28.85	38.40
Water contents (l/m)	2.53	3.23	4.65	6.20
K _M	4.67	5.89	7.69	9.37

PRESSURE DROPS



Type	Kv
P1 / K1	1.67
P+ / K2	3.32
K3	3.65