

# HOME

SERIES



*Heavy Duty  
Planar*

# HEAVY DUTY PLANAR



**50 $\Delta$ t**  
(75/65/20°C)



Height mm	Length mm	K1			K2		
		Stelrad UIN	Watts	Heat output Btu/hr	Stelrad UIN	Watts	Heat output Btu/hr
<b>450</b>	400	141259h	268	915	141269h	500	1705
	600	141261h	403	1376	141271h	750	2559
	800	141262h	537	1834	141272h	999	3410
	1000	141263h	672	2292	141273h	1249	4262
	1200	141264h	806	2751	141274h	1499	5114
	1400	141265h	941	3209	141275h	1749	5967
	1600	141266h	1075	3668	141276h	1999	6819
	1800	141267h	1209	4126	141277h	2248	7672
	2000	141268h	1362	4648	141278h	2546	8686
<b>600</b>	400	141279h	348	1187	141289h	640	2184
	600	141281h	522	1781	141291h	961	3280
	800	141282h	696	2375	141292h	1281	4372
	1000	141283h	870	2968	141293h	1601	5464
	1200	141284h	1044	3562	141294h	1921	6556
	1400	141285h	1218	4156	141295h	2241	7649
	1600	141286h	1392	4750	141296h	2563	8744
	1800	141287h	1566	5343	141297h	2883	9836
	2000	141288h	1740	5937	141298h	3203	10928

$\Delta$ t50 is the UK's industry standard for heating outputs, which has an operating temperature of 75/65/20°C. If you have a low temperature heat source you may wish to consider  $\Delta$ t40 or  $\Delta$ t30 output (see your installer or system designer or download from [www.stelrad.com](http://www.stelrad.com)).

For EN442 data, technical and installation information please visit our website: [www.stelrad.com](http://www.stelrad.com) and search product downloads.



WARRANTY



EPD  
VERIFIED



TRAFFIC  
WHITE ONLY

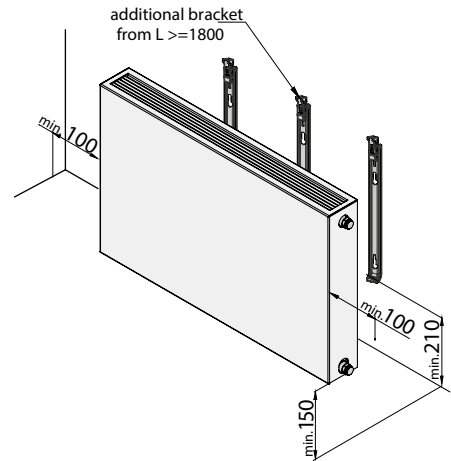
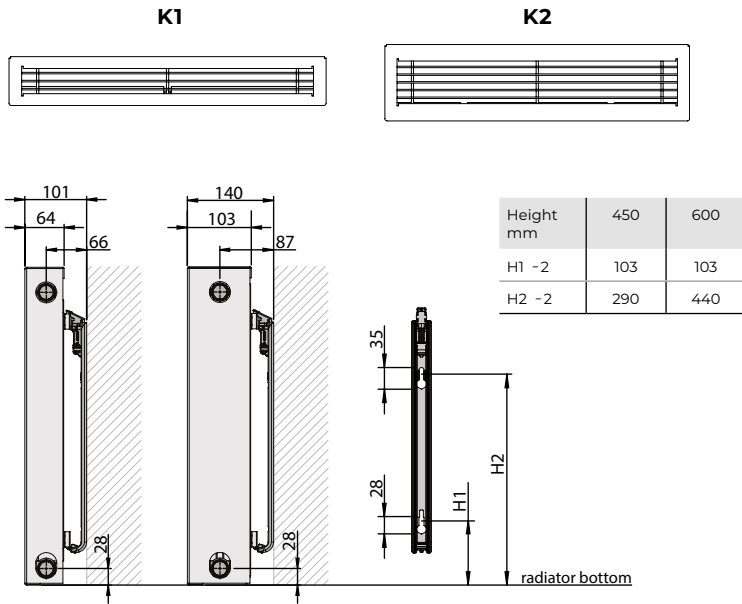
[www.stelrad.com](http://www.stelrad.com)  
Telephone: 0800 876 6813

# HEAVY DUTY PLANAR

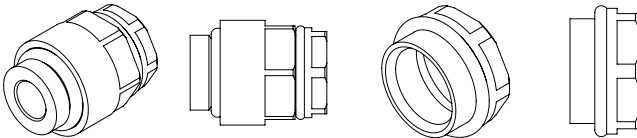


## WALL MOUNTING INFORMATION

All dimensions in mm. Inches in brackets.



## EXTENSION PIECE AND AIR VENT IS INCLUDED IN THE HARDWARE PACK



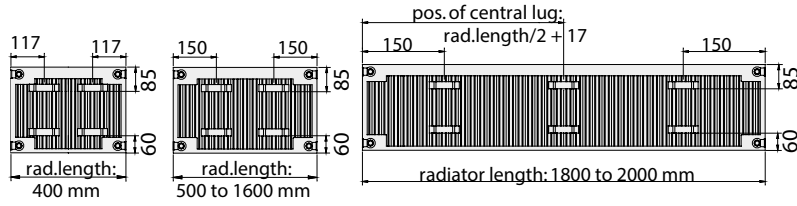
# HEAVY DUTY PLANAR



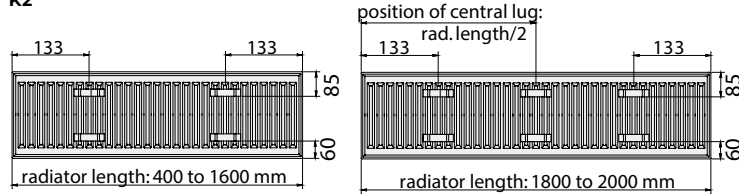
## K1 AND K2 LUG POSITIONS

All dimensions in mm. Inches in brackets.

### K1



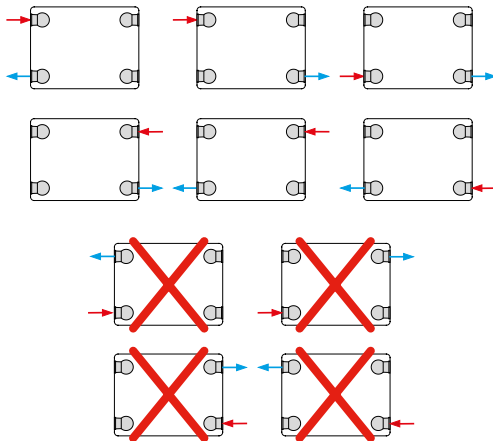
### K2



## CONNECTIONS

Each radiator comes with 1/2" inlet connections as standard.

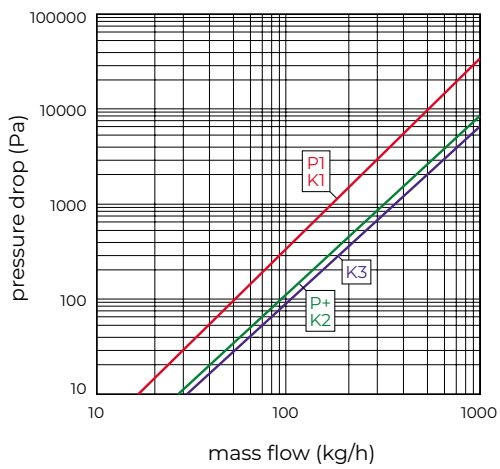
## PIPING OPTIONS



## EN 442 CERTIFICATION DATA - CETIAT TESTED IN ACCORDANCE WITH BS EN 442

Type	K1		K2	
Height	450	600	450	600
W/m at 75/65/20	681	870	1273	1601
n-coefficients	1.27	1.28	1.31	1.31
Heated surface area (m <sup>2</sup> /m)	3.37	4.66	5.62	7.74
Weight (kg/m)	18.22	24.27	28.85	38.40
Water contents (l/m)	2.53	3.23	4.65	6.20
K <sub>M</sub>	4.67	5.89	7.69	9.37

## PRESSURE DROPS



Type	Kv
P1 / K1	1.67
P+ / K2	3.32
K3	3.65