

ELECTRIC[☺]

SERIES



ALU SIMPLE
FLUID
WHITE

STELRAD ALU SIMPLE FLUID - WHITE

ELECTRIC RADIATORS

The Alu Simple Fluid is an oil filled radiator made with slimline and compact vertical flat, double aspect tubes. The Alu Simple Fluid heats up by using an electrical element immersed in thermodynamic oil within the radiator. This maintenance free and specially formulated fluid is designed to distribute the heat quickly and evenly across the radiator, which in turn emits the heat into your room through radiation.

This aluminium radiator has a high heat transfer and a lower surface temperature, so it is practical, user-friendly and ensures the maximum flexibility in terms of use. It is then an excellent solution when different areas of the house have different temperature needs.

Stelrad UIN	Colour	Height mm	Length mm	Heat output		Electric voltage - Frequency
				Power (Watts)	Btu/hr	
E016-0580-0390	White	580	390	700	2387	230V - 50Hz
E016-0580-0470	White	580	470	1000	3410	230V - 50Hz
E016-0580-0710	White	580	710	1500	5115	230V - 50Hz
E016-0580-0870	White	580	870	1800	6138	230V - 50Hz



Integrated control panel

The colour coordinated digital touch screen control with LED display is located on the top right hand side of the radiator for easy access and multiple functions for efficiency, energy saving and safety in mind.

Installation

This radiator must be wall mounted and must not be installed immediately below or in front of a power socket or in contact with the wall or floor. If installed within a bathroom, the radiator must be mounted outside zone 1 and the switch / electric control must be in zone 3.

Please note: The cable entry point is situated on the bottom right-hand side.

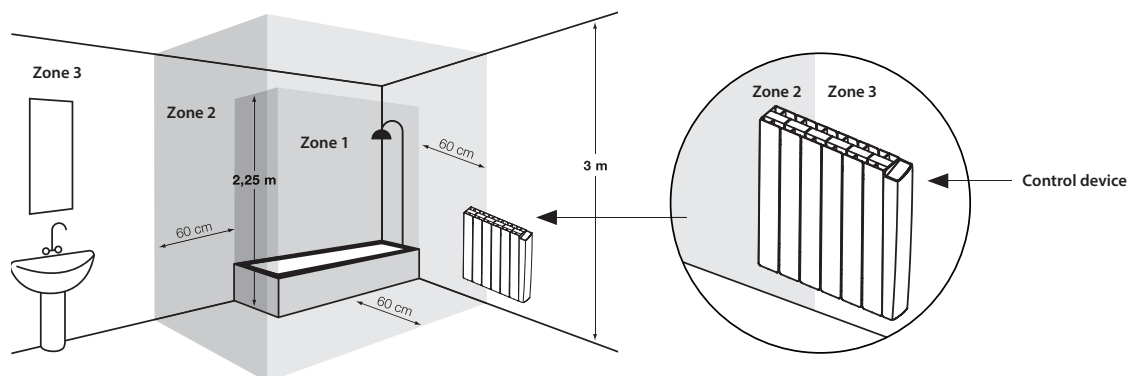


STELRAD ALU SIMPLE FLUID - WHITE

ELECTRIC RADIATORS

Positioning and installing

- This appliance is designed to heat domestic rooms or similar and to dry towels.
- This appliance is designed to dry towels washed in water only. It must not be used for other purposes.
- The appliance must be used permanently mounted on a wall as described in the instructions.
- Install the appliance with the control device at the bottom right and the control keys towards the front.
- In bathrooms (with bath or shower), install the appliance outside zone 1.
- The appliance must be installed in such a way that the electronic controls and other control devices may not be touched by someone in the bath or shower. The towel warmer must not be connected with a plug.
- This product comes with a 900mm colour coordinated cable (no plug), so it can be spur wired to the heating circuit.
- To avoid all risks for young children, install the appliance with the lowest heating element at least 600 mm from the floor.
- No need to maintain or service this product once installed. However, should any technical problems arise, contact a qualified professional or your local dealer. All operations on the appliance must be carried out by a qualified professional who before performing maintenance must make sure the appliance is turned off, cold and disconnected from the household mains.




STELRAD ALU SIMPLE FLUID - WHITE

ELECTRIC RADIATORS

Electrical connection

- To be installed by a specialised engineer in accordance with the applicable standards in the country concerned.
- When the appliance is installed, make sure the power is off and the mains switch is in the "O" position.
- The appliance requires a 230 V ~ 50 Hz power supply. Make sure the power line is appropriate for the data shown on the appliance's rating plate.

Voltage: 230 V ~ 50 Hz

Insulation class: II 

Protection class: IP24

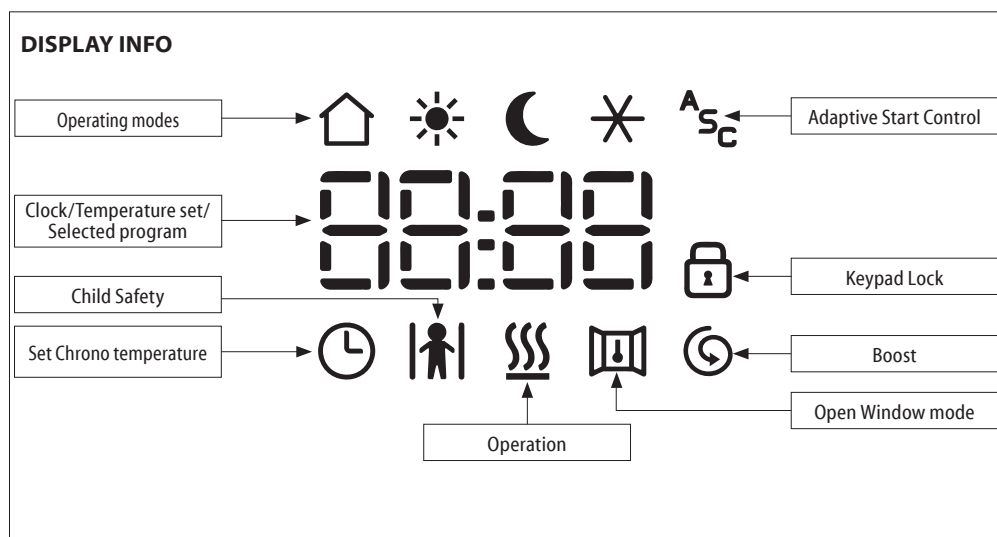
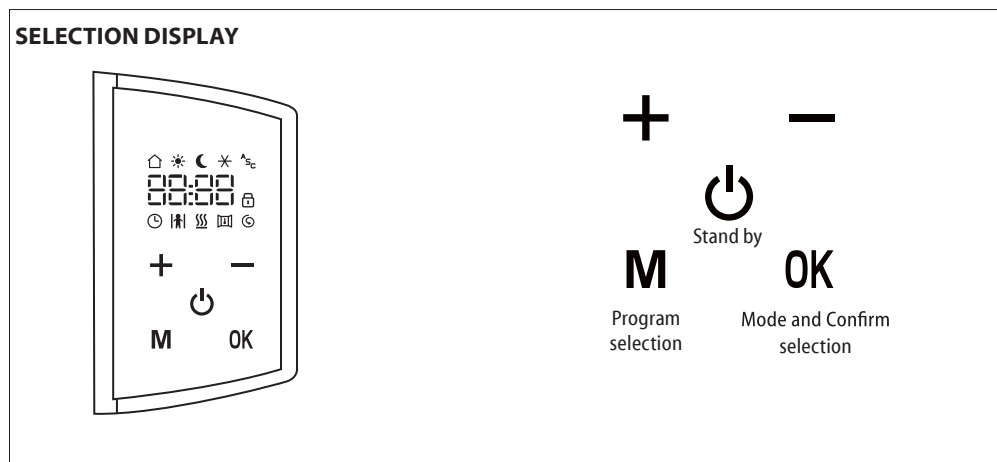
Power (W)	Length (cm)	Height (cm)	Weight (kg)	Rated current (A)
700	39	58	9	3
1000	47		11.5	4,5
1500	71		18.5	6,5
1800	87		21.5	8

- Make sure the fixed power line is fitted with a disconnecting switch allowing the appliance to be disconnected completely from the household mains, included the Pilot Wire, when present, in accordance with the wiring rules.
- If the appliance is installed in a bathroom, the power line must be fitted with a 30 mA RCD (high sensitivity residual current protection device). The power supply line and Pilot Wire control unit must be protected by the same RCD.
- Permanently connected appliances must be connected using a connector block placed within a proper junction box.
- When installing the appliance in damp rooms (kitchen, bathroom), the point of connection with the household mains must be at least 25 cm from the floor.
- If the Pilot Wire is not connected to the programming unit, it must be terminated and insulated. Under no circumstances should the Pilot Wire be connected to the earth.
- Make sure the power cable cannot in any way come into contact with the surface of the appliance.

STELRAD ALU SIMPLE FLUID - WHITE

ELECTRIC RADIATORS

Using the radiator from the control panel



Operating modes

Pilot Wire (n/a in the UK) Comfort Night / Eco Anti-freeze Chrono
 Standby Energy Saving

Functions

Open window Child safety Override Keypad lock